



• ED8025 Series II.

DC Brushless fan.

Size: 80 x 80 x 25 mm

3.15 x 1 Inches.

Airflow: Max.105CFM /3 m3/min

Plastic Impeller / Plastic Frame.

Model No.	Rated Voltage	Voltage Range	Input Power	Rated Current	Ref Speed	Max. Airflow		Max. Static Pressure		Noise Level	PQ Curves
	VDC	VDC	Watt	Amp	RPM	CFM	m3/min	Inch/H2O	mm/H2O	dB (A)	
ED8025-12EH **	12	7~13.2	19.2	1.6	9500	105	3	1.6	40.64	65	1
ED8025-12SHH**	12	7~13.2	11.52	0.96	8000	86	2.4	1.2	30.48	60	2
ED8025-12SH**	12	7~13.2	8.64	0.72	7000	76	2.2	0.85	21.59	55	3
ED8025-12HHH**	12	7~13.2	6.48	0.54	6000	65	1.8	0.63	16	50	4
ED8025-12HH**	12	7~13.2	5.4	0.45	5000	54	1.5	0.5	12.7	45	5
ED8025-12H **	12	7~13.2	3.6	0.3	4000	43	1.2	0.3	7.62	40	6
ED8025-24EH**	24	14~26.4	20	0.85	9500	105	3	1.6	40.64	65	1
ED8025-24SHH**	24	14~26.4	12	0.5	8000	86	2.4	1.2	30.48	60	2
ED8025-24SH**	24	14~26.4	9.12	0.38	7000	76	2.2	0.85	21.59	55	3
ED8025-24HHH**	24	14~26.4	6.96	0.29	6000	65	1.8	0.63	16	50	4
ED8025-24HH**	24	14~26.4	6	0.25	5000	54	1.5	0.5	12.7	45	5
ED8025-48EH**	48	34~56	21.6	0.45	9500	105	3	1.6	40.64	65	1
ED8025-48SHH**	48	34~56	18.24	0.38	8000	86	2.4	1.2	30.48	60	2
ED8025-48SH**	48	34~56	12.96	0.27	7000	76	2.2	0.85	21.59	55	3
ED8025-48HHH**	48	34~56	9.6	0.2	6000	65	1.8	0.63	16	50	4

** = "BL" for wire lead type Ball bearing Type.

•We reserve the right to change data and improve electrical & mechanical design without notice. data tolerance +10%

Motor

Motor Type: Brushless DC Motor, auto cutoff, auto restart
 Burnout Protection: Electronically protected, polarity protected
 IP Protection: Ratings on request

Mechanical

Frame: Glass fiber reinforced thermoplastic, rated UL94V-0
 Impeller: 7 blades, glass fiber reinforced plastic, rated UL94V-0
 Bearing: Two ball bearings
 Rotation: CCW seen on rotor
 Connection: Wire lead
 Weight: 108 g (0.238 Lbs)

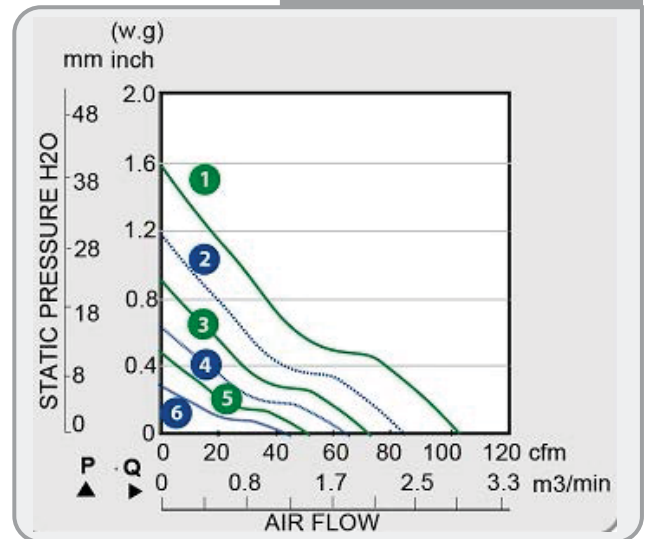
Electrical

Dielectric Strength: 500 VAC/min. Max leakage 500mA
 Speed Control: Optional:PWM, S/C NTC thermister on request
 Signal Output: Optional:R/D alarm output, tachometer output F/G

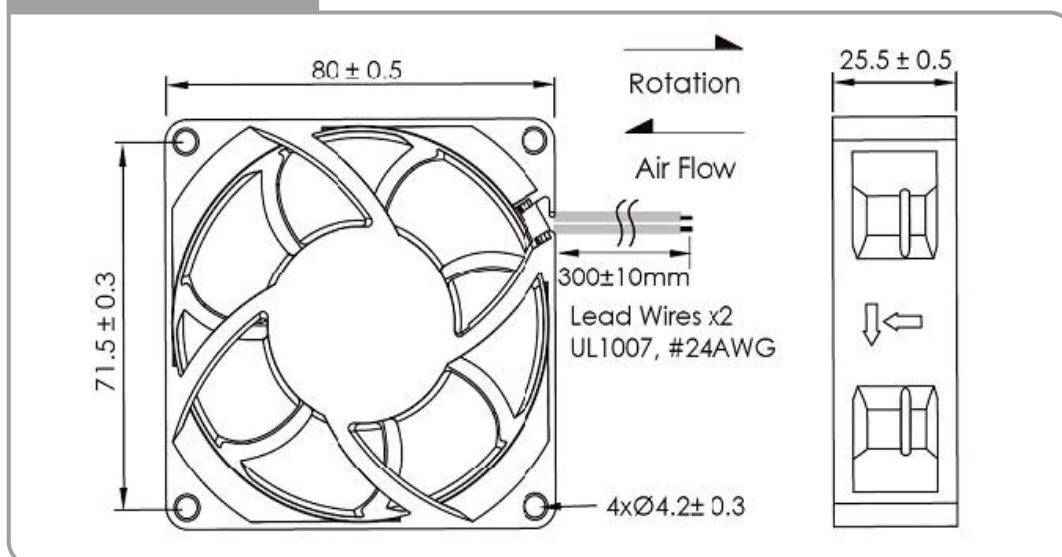
Environment

Operating Temp: Ambient non-condensing -15°C~+65°C
 Storage Temp: -25°C~+80°C (at 65%RH)
 Life Expectancy: L10 60K hours at 45°C, 45K hours at 65°C

▶ Performance P-Q Curves.



▶ Outline Dimensions.



Fan Accessories

